

Package Information

***IGBT/FRD Modules
MOSFET Modules***

Semi-Powerex Corp.
Juan Industrial Complex,
Juyeom-ro 58, Nam-gu, Incheon, Korea
sales@semi-powerex.com
+82 (0)10 7762 2437

1) IGBT Modules

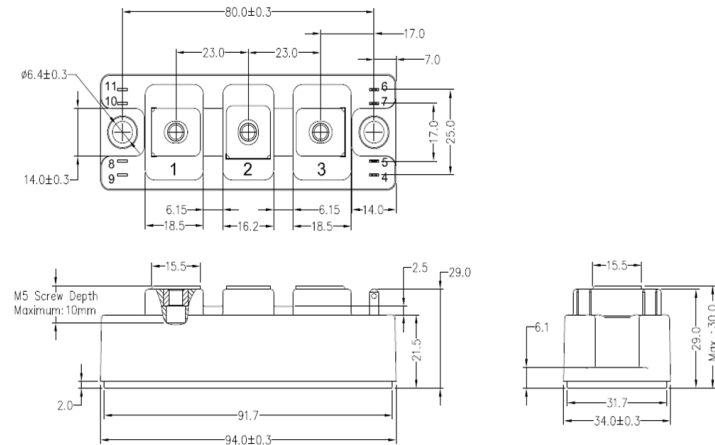
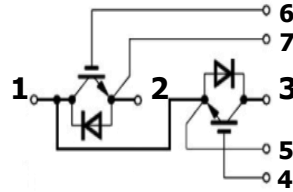
34mm(S1)	62mm(S3)	38mm(S4)	SOT-227(S7)
- 600V Class : 75A~200A	- 600V Class : 300A~400A	- 600V Class : 75A ~ 100A	- 600V Class : 50A~150A
- 1200V Class : 75A~150A	- 1200V Class : 100A~400A		- 1200V Class : 75A

2) Fast Recovery Diode Modules

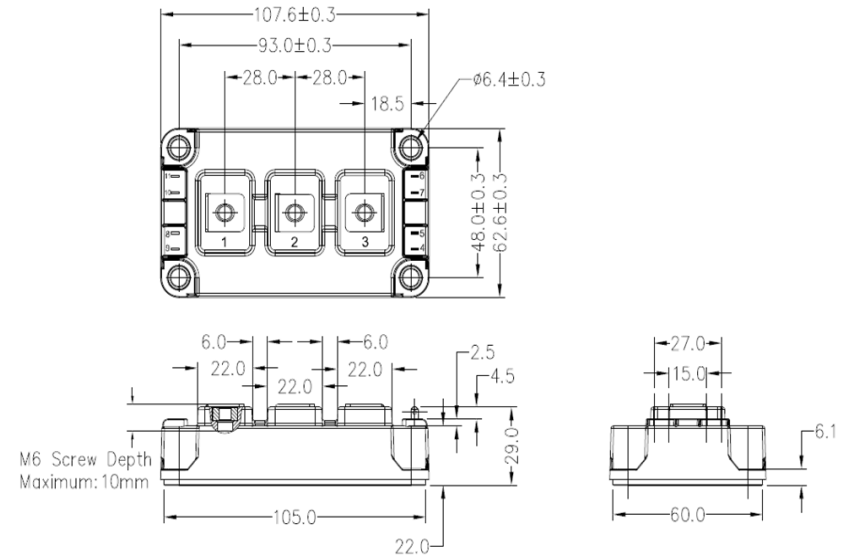
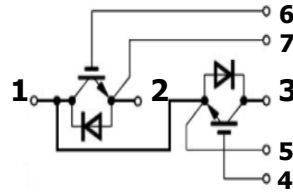
27mm(SH) FRD	34mm(S1) FRD	40mm(ST) FRD	SOT-227(S7)
- 400V Class : 100A ~ 200A	- 400V Class : 100A ~ 200A	- 400V Class : 300A	- 400V Class : 100A
- 600V Class : 100A ~ 150A	- 600V Class : 150A ~ 200A	- 600V Class : 300A	- 600V Class : 100A
- 1200V Class : 100A	- 1200V Class : 100A ~ 150A		- 1200V Class : 100A

Package Dimension 1/4

=> 34mm(S1)-IGBT

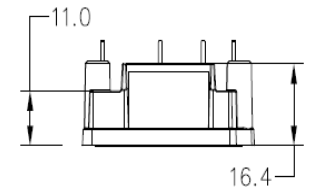
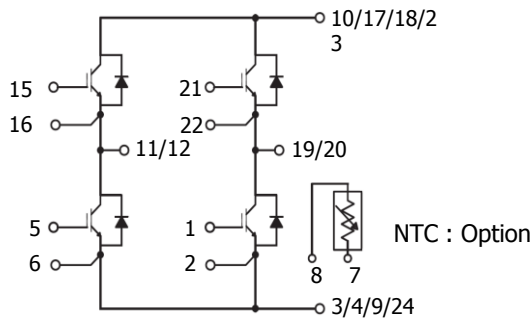
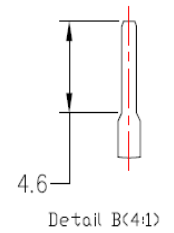
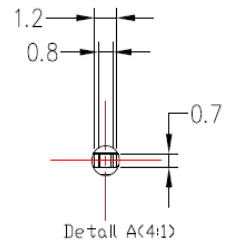
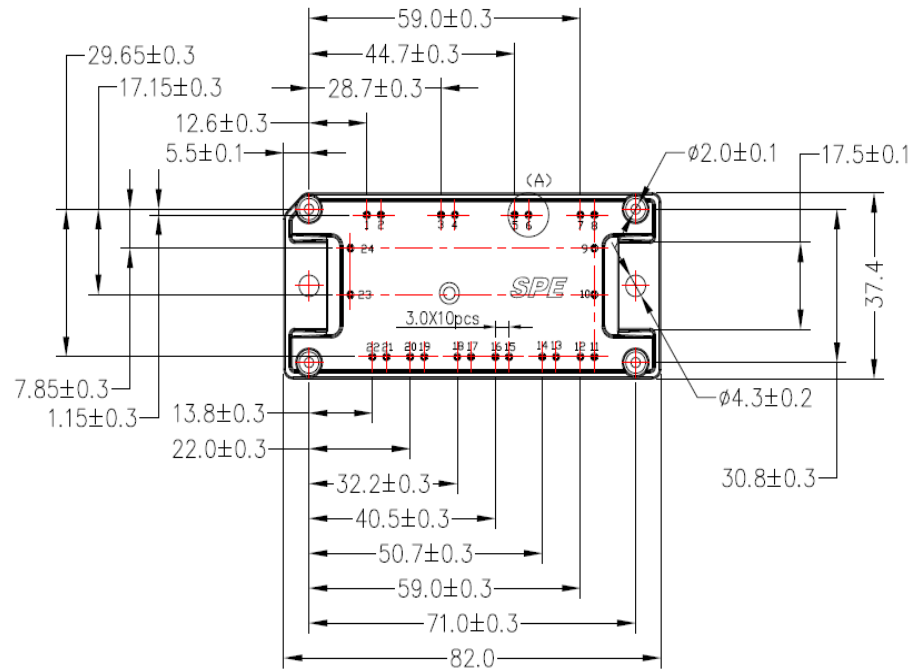


=> 62mm(S3)-IGBT



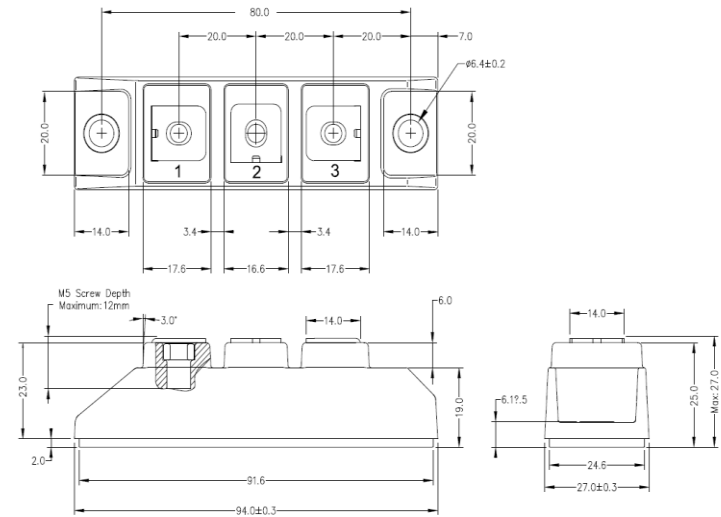
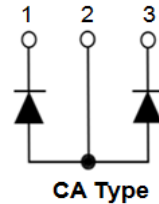
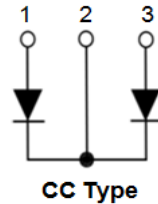
Package Dimension 2/4

=> 38mm(S4)-IGBT

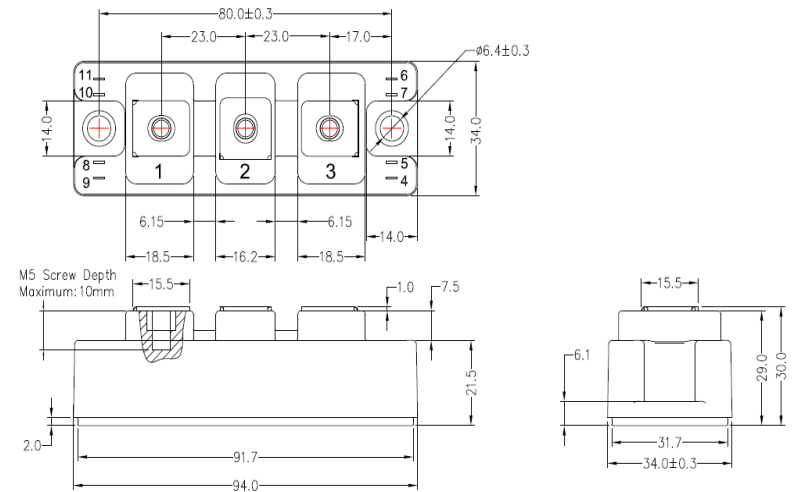
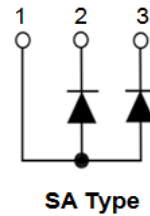
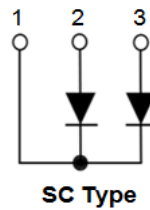


Package Dimension 3/4

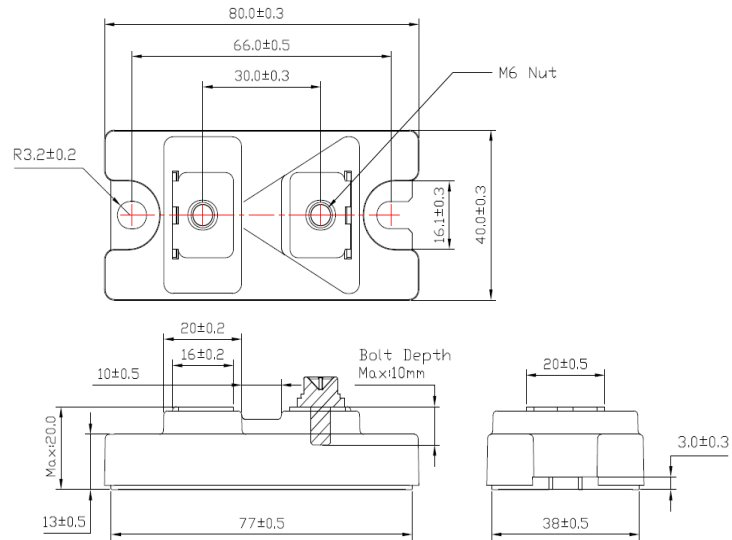
=> 27mm(SH)-FRD



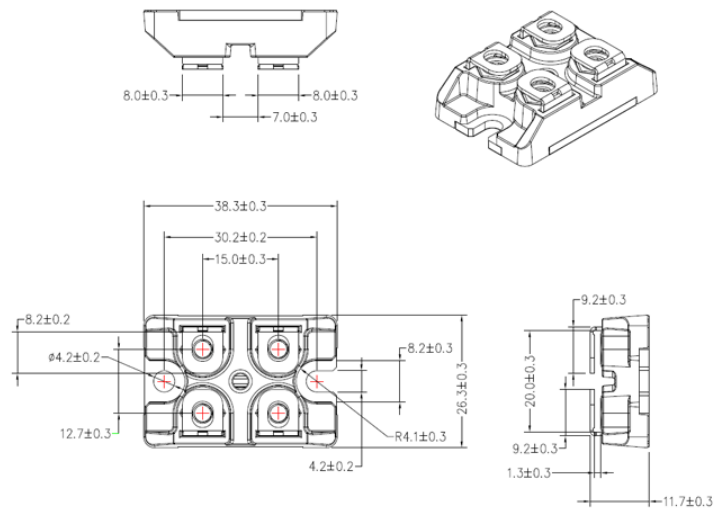
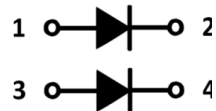
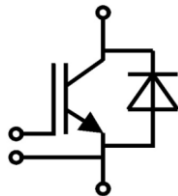
=> 34mm(S1)-FRD



=> 40mm(ST)-FRD



=> SOT-227 : FRD/IGBT/MOSFET



Thank you for your attention...

Semi-Powerex Corp.

Juan Industrial Complex,
Juyeom-ro 58, Nam-gu, Incheon, Korea

sales@semi-powerex.com

+82 (0)10 7762 2437